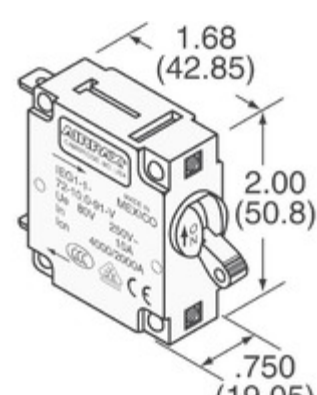


## IEG1-1-61-10.0-01-V



Images are for reference only.  
See Product Specifications for product details.  
**Buy IEG1-1-61-10.0-01-V with confidence from Component-World.HK, 1 Year Warranty**



**Part Number:** [IEG1-1-61-10.0-01-V](#)  
**Manufacturer:** [Sensata Technologies, Airpax](#)  
**Description:** CIR BRKR MAG-HYDR LEVER 10A  
**Data sheet:** [IEG,IUG,JEG,CEG,LEG Series Datasheet](#)

**RoHS Status:** Lead free / RoHS Compliant  
**Ship From:** Hong Kong  
**Shipment Way:** DHL/Fedex/TNT/UPS/EMS

[Request For Quotation](#)

### PRODUCT PARAMETER

<b>Part Number</b>	IEG1-1-61-10.0-01-V	<b>Manufacturer</b>	<a href="#">Sensata Technologies, Airpax</a>
<b>Description</b>	CIR BRKR MAG-HYDR LEVER 10A	<b>Lead Free Status / RoHS Status</b>	Lead free / RoHS Compliant
<b>Quantity Available</b>	1994 pcs	<b>Data sheet</b>	<a href="#">IAG,IUG,JEG,CEG,LEG Series Datasheet</a>
<b>Category</b>	<a href="#">Circuit Protection</a>	<b>Series</b>	IEG
<b>Number of Poles</b>	1	<b>Mounting Type</b>	Panel Mount
<b>Moisture Sensitivity Level (MSL)</b>	1 (Unlimited)	<b>Manufacturer Standard Lead Time</b>	6 Weeks
<b>Lead Free Status / RoHS Status</b>	Lead free / RoHS Compliant	<b>Illumination Voltage (Nominal)</b>	-
<b>Illumination</b>	-	<b>Current Rating</b>	10A
<b>Breaker Type</b>	Magnetic (Hydraulic Delay)	<b>Actuator Type</b>	Lever

Component-World.com is a Reliable Stocking Distributor of Electronic Components. We specialize in all Sensata Technologies, Airpax series electronic components. We have 1994 pieces of Sensata Technologies, Airpax IEG1-1-61-10.0-01-V in stock available now. Request a quote from electronics components distributor at Component-World.com, our sales team will contact you within 24 hours.

RFQ Email: [info@Components-World.com](mailto:info@Components-World.com)

### RELATED PRODUCTS

	<b>Part#:</b> <a href="#">IEG1-1-61-2.50-C-01-V</a> <b>Description:</b> CIR BRKR MAG-HYDR	<b>Manufacturers:</b> <a href="#">Sensata Technologies, Airpax</a>	<a href="#">RFQ</a>
	<b>Part#:</b> <a href="#">IEG1-1-61-2.90-01-V</a> <b>Description:</b> CIR BRKR MAG-HYDR LEVER 2.9A	<b>Manufacturers:</b> <a href="#">Sensata Technologies, Airpax</a>	<a href="#">RFQ</a>
	<b>Part#:</b> <a href="#">IEG1-1-61-1.50-01-V</a> <b>Description:</b> CIR BRKR MAG-HYDR LEVER 1.5A	<b>Manufacturers:</b> <a href="#">Sensata Technologies, Airpax</a>	<a href="#">RFQ</a>
	<b>Part#:</b> <a href="#">IEG1-1-59-30.0-01-V</a> <b>Description:</b> CIR BRKR MAG-HYDR LEVER 30A	<b>Manufacturers:</b> <a href="#">Sensata Technologies, Airpax</a>	<a href="#">RFQ</a>
	<b>Part#:</b> <a href="#">IEG1-1-61-2.50-21-V</a> <b>Description:</b> CIR BRKR MAG-HYDR LEVER 2.5A	<b>Manufacturers:</b> <a href="#">Sensata Technologies, Airpax</a>	<a href="#">RFQ</a>
	<b>Part#:</b> <a href="#">IEG1-1-61-.500-01-V</a> <b>Description:</b> CIR BRKR MAG-HYDR LEVER .5A	<b>Manufacturers:</b> <a href="#">Sensata Technologies, Airpax</a>	<a href="#">RFQ</a>
	<b>Part#:</b> <a href="#">IEG1-1-61-30.0-01-V</a> <b>Description:</b> CIR BRKR MAG-HYDR	<b>Manufacturers:</b> <a href="#">Sensata Technologies, Airpax</a>	<a href="#">RFQ</a>
	<b>Part#:</b> <a href="#">IEG1-1-61-2.00-C-91-V</a> <b>Description:</b> CIR BRKR MAG-HYDR LEVER 2A	<b>Manufacturers:</b> <a href="#">Sensata Technologies, Airpax</a>	<a href="#">RFQ</a>
	<b>Part#:</b> <a href="#">IEG1-1-61-20.0-91-V</a> <b>Description:</b> CIR BRKR MAG-HYDR 20A LEVER	<b>Manufacturers:</b> <a href="#">Sensata Technologies, Airpax</a>	<a href="#">RFQ</a>
	<b>Part#:</b> <a href="#">IEG1-1-61-15.0-01-V</a> <b>Description:</b> CIR BRKR MAG-HYDR LEVER 15A	<b>Manufacturers:</b> <a href="#">Sensata Technologies, Airpax</a>	<a href="#">RFQ</a>
	<b>Part#:</b> <a href="#">IEG1-1-61-25.0-01-V</a> <b>Description:</b> CIR BRKR MAG-HYDR 25A LEVER	<b>Manufacturers:</b> <a href="#">Sensata Technologies, Airpax</a>	<a href="#">RFQ</a>
	<b>Part#:</b> <a href="#">IEG1-1-52-7.50-A-01-V</a> <b>Description:</b> CIR BRKR MAG-HYDR	<b>Manufacturers:</b> <a href="#">Sensata Technologies, Airpax</a>	<a href="#">RFQ</a>
	<b>Part#:</b> <a href="#">IEG1-1-61-15.0-91-V</a> <b>Description:</b> CIR BRKR MAG-HYDR 15A LEVER	<b>Manufacturers:</b> <a href="#">Sensata Technologies, Airpax</a>	<a href="#">RFQ</a>
	<b>Part#:</b> <a href="#">IEG1-1-52-6.00-A-01-V</a> <b>Description:</b> CIR BRKR MAG-HYDR LEVER 6A	<b>Manufacturers:</b> <a href="#">Sensata Technologies, Airpax</a>	<a href="#">RFQ</a>
	<b>Part#:</b> <a href="#">IEG1-1-52-5.00-A-01-V</a> <b>Description:</b> CIR BRKR MAG-HYDR LEVER 5A	<b>Manufacturers:</b> <a href="#">Sensata Technologies, Airpax</a>	<a href="#">RFQ</a>
	<b>Part#:</b> <a href="#">IEG1-1-59-5.00-01-V</a> <b>Description:</b> CIR BRKR MAG-HYDR	<b>Manufacturers:</b> <a href="#">Sensata Technologies, Airpax</a>	<a href="#">RFQ</a>
	<b>Part#:</b> <a href="#">IEG1-1-61-20.0-01-V</a> <b>Description:</b> CIR BRKR MAG-HYDR LEVER 20A	<b>Manufacturers:</b> <a href="#">Sensata Technologies, Airpax</a>	<a href="#">RFQ</a>
	<b>Part#:</b> <a href="#">IEG1-1-52-7.50-01-V</a> <b>Description:</b> CIR BRKR MAG-HYDR 7.5A LEVER	<b>Manufacturers:</b> <a href="#">Sensata Technologies, Airpax</a>	<a href="#">RFQ</a>
	<b>Part#:</b> <a href="#">IEG1-1-61-1.00-C-91-V</a> <b>Description:</b> CIR BRKR MAG-HYDR LEVER 1A	<b>Manufacturers:</b> <a href="#">Sensata Technologies, Airpax</a>	<a href="#">RFQ</a>
	<b>Part#:</b> <a href="#">IEG1-1-61-1.00-01-V</a> <b>Description:</b> CIR BRKR MAG-HYDR LEVER 1A	<b>Manufacturers:</b> <a href="#">Sensata Technologies, Airpax</a>	<a href="#">RFQ</a>

### Related keywords for IEG1-1-61-10.0-01-V

<a href="#">Sensata Technologies, Airpax IEG1-1-61-10.0-01-V</a>	<a href="#">IEG1-1-61-10.0-01-V distributor</a>	<a href="#">IEG1-1-61-10.0-01-V supplier</a>	<a href="#">IEG1-1-61-10.0-01-V price</a>
<a href="#">IEG1-1-61-10.0-01-V download datasheet</a>	<a href="#">IEG1-1-61-10.0-01-V datasheet</a>	<a href="#">IEG1-1-61-10.0-01-V stock</a>	<a href="#">buy IEG1-1-61-10.0-01-V</a>
<a href="#">Sensata Technologies, Airpax IEG1-1-61-10.0-01-V</a>	<a href="#">Sensata Technologies/Airpax IEG1-1-61-10.0-01-V</a>		